

CAUTION

This is not a toy. Please read directions carefully prior to using. If misused can cause serious injury, blindness or death. Protective eye devices and ear protection should be worn at all times during play or while cleaning the CO2 pistol. Never look into the barrel. If accidentally shot in the eye it could cause blindness or death.

If this product is used in War Games or other like games, do not aim at anybody's face or head. This could cause serious injury.

Only play on an authorized playing field. When using the safety, it should be pushed all the way in. Safety is not on safe unless the red mark is all the way inside the frame of the pistol (never trust the safety).

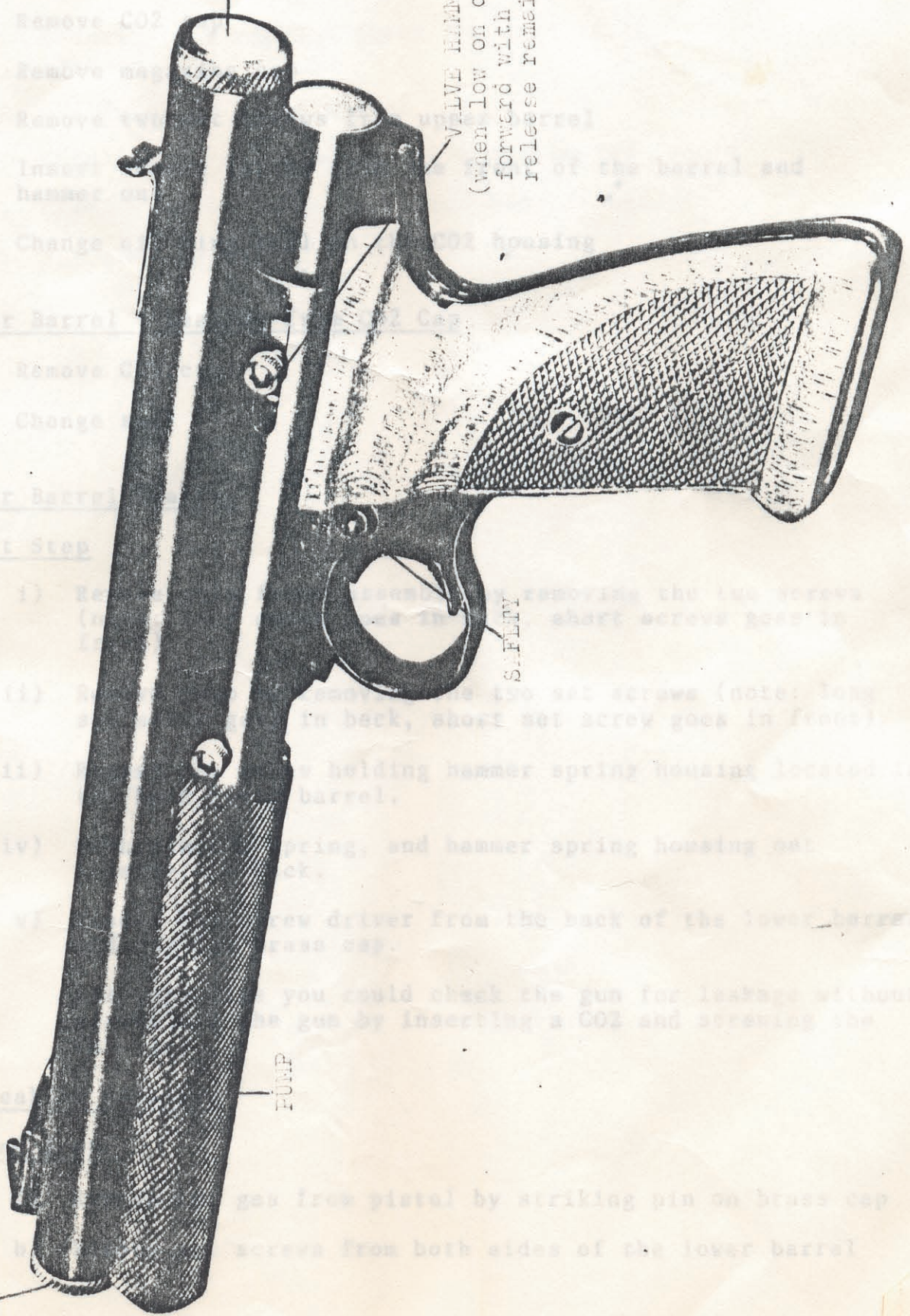
Keep hands away from escaping CO2 gas. This could cause frost bite.

This CO2 pistol is for use by persons 18 years of age or older.

War Games Inc. assumes no responsibility whatsoever regardless of nature, for personal injury or property damage.

NIGHTMARE
MODEL 68

PAINT BALL
MAGAZINE



CO2 CHAMBER
(screw tightly
to puncture
CO2)

VALVE HAMMER
(when low on CO2 press
forward with thumb to
release remaining CO2)

SAFETY

PUMP

NIGHTMARE MODEL 68

PROBLEM HELPER

Upper Barrel - Leaking CO2 from Front

1. Remove CO2 cap
2. Remove magazine cap
3. Remove two set screws from upper barrel
4. Insert copper tubing from the front of the barrel and hammer out
5. Change oil ring seal on the CO2 housing

Upper Barrel - Leaking from CO2 Cap

1. Remove CO2 cap
2. Change seal

Lower Barrel Leaking

First Step

- i) Remove grip frame assembly by removing the two screws (note: long screw goes in back, short screws goes in front)
- ii) Remove pump by removing the two set screws (note: long set screw goes in back, short set screw goes in front).
- iii) Remove set screw holding hammer spring housing located in the back lower barrel.
- iv) Push hammer, spring, and hammer spring housing out towards the back.
- v) Insert the screw driver from the back of the lower barrel and tighten brass cap.

(At this time you could check the gun for leakage without assembling the gun by inserting a CO2 and screwing the CO2 cap).

If leaking persists

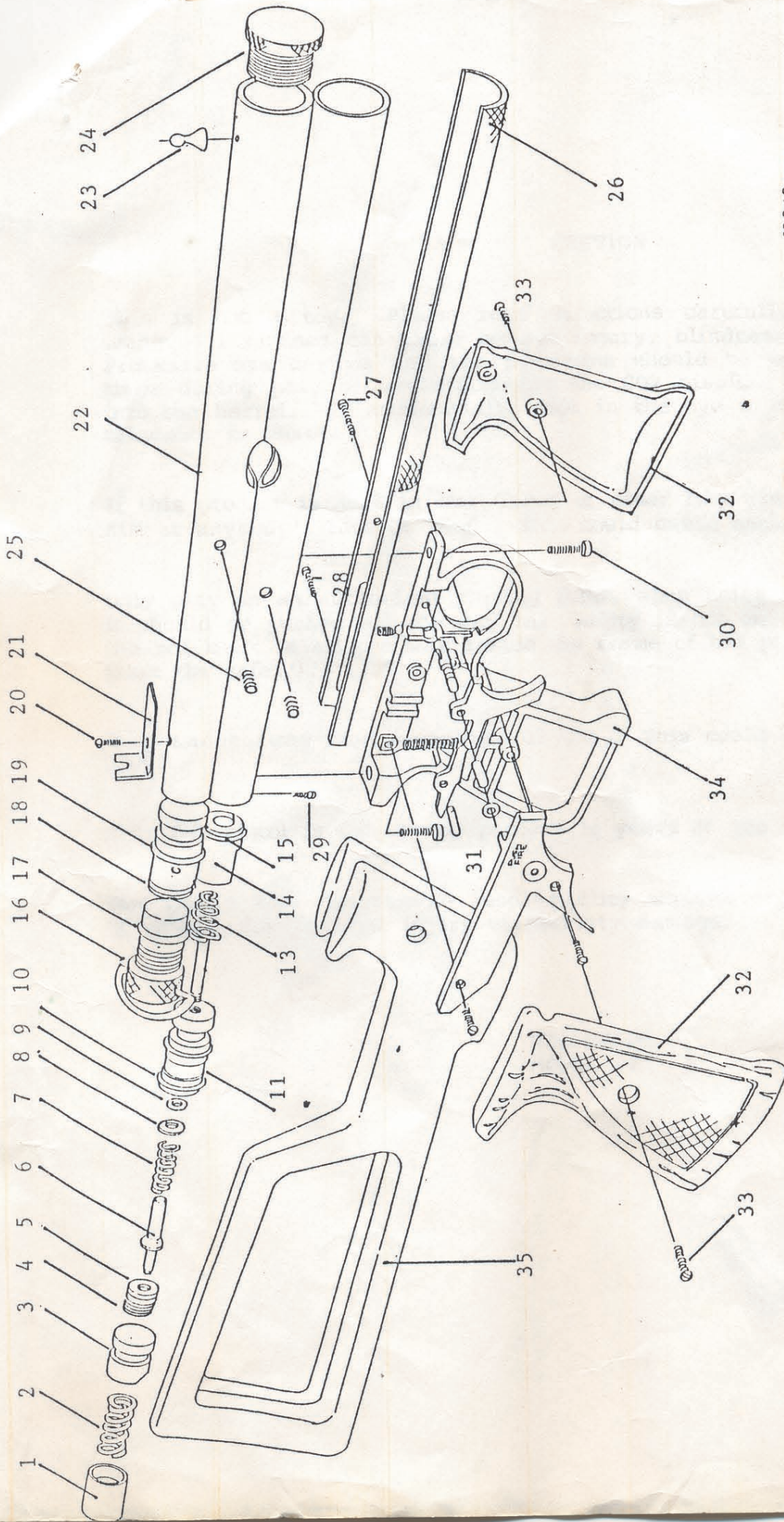
Second Step

- a) Remove CO2 gas from pistol by striking pin on brass cap
- b) Remove set screws from both sides of the lower barrel

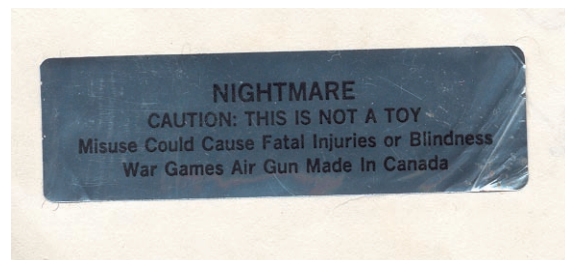
If leaking persists Second Step (continued)

- c) Insert copper tubing from the front lower barrel and hammer until valve body, bolt spring and bolt comes out.
- d) Remove brass cap and check for dirt in the valve system
- e) Change white nylon washer
- f) Check small oil seal in valve system for cracks
- g) Change oil seals on the valve body if needed
- h) Put gun together





- 1 Hammer, Spring Housing
- 2 Hammer Spring
- 3 Hammer
- 4 Valve Brass Nut
- 5 Valve Brass Nut Nylon Washer Seal
- 6 Valve Stem
- 7 Valve Spring
- 8 Valve Steel Washer
- 9 Valve Stem O Ring Seal
- 10 Valve Body O Ring Seal
- 11 Valve Body
- 12 Valve Body O Ring Seal
- 13 Bolt Spring
- 14 Bolt
- 15 Bolt O Ring Seal
- 16 CO2 Cap
- 17 CO2 Cap O Ring Seal
- 18 CO2 Punching Pin Housing
- 19 CO2 Punching Pin Housing O Ring Seal
- 20 Sight Screw
- 21 Back Sight
- 22 Barrel and Magazine Housing
- 23 Front Sight
- 24 Magazine Cap
- 25 Set Screws
- 26 Pump Screw (short)
- 27 Pump Screw (long)
- 28 Pump Screw (long)
- 29 Hammer Spring Housing Set Screw
- 30 Grip Frame Screw (short)
- 31 Grip Frame Screw (long)
- 32 Handgrip
- 33 Handgrip Screw
- 34 Grip Frame
- 35 Rifle Stock



NIGHTMARE
CAUTION: THIS IS NOT A TOY
Misuse Could Cause Fatal Injuries or Blindness
War Games Air Gun Made In Canada